





CP8854 Series

1/2 cordless impact wrenches

> SPECIFICATIONS - REFERENCES

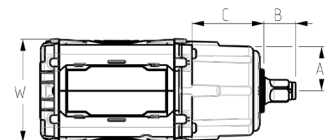
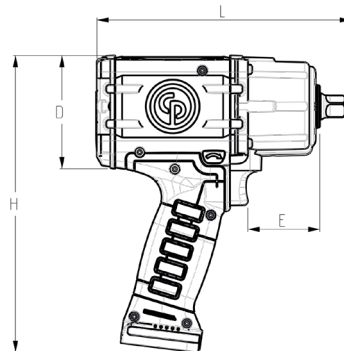
Specifications	CP8854			
				
Model name	CP8854 Pack 18V	CP8854 BARE TOOL	CP8854-2 Pack 18V	CP8854-2 BARE TOOL
Part number	8941088540	8941088548	8941088542	8941088549
Socket retention	1/2"		1/2"	
Free speed (rpm)	4500		4500	
Blow per minute (bpm)	1200		1200	
Max torque (ft.lb)	774		774	
Max torque (Nm)	1050		1050	
Break-away torque (ft.lb)	1000		1000	
Break-away torque (Nm)	1350		1350	
Working torque (ft.lb)	88.5		88.5	
Working torque (Nm)	120		120	
Weight incl. battery (lbs)	5.51		5.73	
Weight incl. battery (kg)	2.5		2.6	
Weight ex. battery (lbs)	4.6		4.8	
Weight ex. battery (kg)	2.10		2.17	
Sound pressure(dBA)	87		87	
Sound power (dBA)	98		98	
Vibration (m/s ²)	9.3 k=3.1		9.3 k=3.1	



Model name	Battery Pack CP18XP25 18V 2.5Ah	Battery charger CP18-36ch
Part number	8940176067	8940176069
Specification	Li-ion, 18V 2.5 Ah	18/36V 2.5Ah

> DIMENSIONS

		A	B	C	D	E	Height (H)	Length (L)	Width (W)
CP8854	in.	1.30	0.94	2.09	3.31	2.13	8.7	7.44	3.03
	mm	33	24	53	84	54	220	189	77
CP8854-2	in.	1.30	0.94	2.09	3.31	2.13	8.7	9.41	3.03
	mm	33	24	53	84	54	220	240	77



> ACCESSORIES RECOMMENDATION

Boot Cover



Model	Part number
CP8854 Boot Cover	8940176685

1/2" Impact sockets



Model	Part number	Designation	Quantity (Sockets)	Size
SS413DTW	8940166760	Thin wall	3	17, 19, 21 mm
SS413WP	8940164464	Thin wall wheel protector	3	17, 19, 21 mm
SS414WP	8940168375	Thin wall wheel protector	4	17, 19, 21, 22 mm
SS422FTW	8940169701	Flip Socket deep thin wall	2	3/4" x 13/16", 19 mm x 21 mm
SS422FD	8940169702	Flip Socket deep	2	3/4" x 13/16", 19 mm x 21 mm
SS4211WP	8940164471	Thin wall wheel protector	11	3/4", 13/16", 7/8", 15/16", 1", 1-1/16", 17, 19, 21, 22, 23 mm

> RELATED PRODUCTS

1/2" torque wrenches



Model	Part number	Designation
CP8915	8941089155	1/2" Torque wrench - Nm, ft.lb scales
CP8917	8941089170	1/2" Torque wrench - Nm scale
CP8917	8941089175	1/2" Torque wrench - ft.lb scale



- ✓ Packs delivered with:
 - 2 batteries
 - 1 charger
 - 1 power cord
 - 1 soft bag
 - 1 protective boot cover
- ✓ 1 Tool documentation:
 - Conformity certificate and Safety warning
 - Operator's manual
 - Exploded view and spare part list



For more information, please contact your CP partner:

Use only authorized parts. Any damage or malfunction caused by the use of unauthorized parts is not covered by Warranty or Product Liability.