

**Enter a new
dimension in
material removal**

CP3T30 Series
Turbine Grinders
and Sanders



People. Passion. Performance.



Turbine Technology

Do more in less time



Remove 63%* more material than a standard vane grinder during the same period of time.

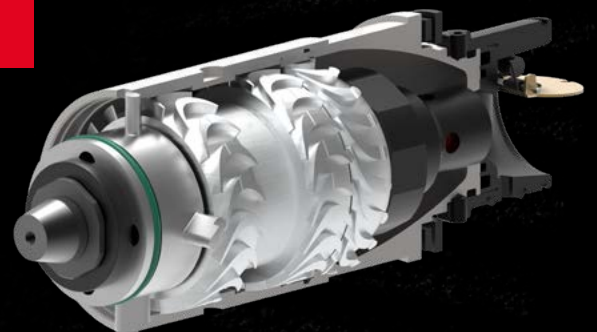
Designed for maximum efficiency and reliability

Innovative, proven turbine technology offers a unique opportunity to increase your return on investment and decrease maintenance costs.

- » Improved power-to-weight ratio, **+43%****, for optimal material removal.
- » Stable speed under heavy loads for precise surface grinding with a high-quality finish.
- » Lubrication-free technology ensures extended service life and reduced maintenance needs.

* Results are based on Chicago Pneumatic tests laboratory.

** In comparison with Chicago Pneumatic industrial vane grinders.



Discover
CP3T30
in video



CP3T30 Turbine Grinders and Sanders series

Featuring innovative turbine technology and backed by years of CP expertise in air tool design, the CP3T30 offers an excellent power-to-weight ratio for your metalworking needs.

Why CP3T30?

- » Remove more material, **+63%**, in less time than a vane turbine technology
- » Work effectively in complex narrow spaces, even at arm's length
- » Improve operator experience when grinding and sanding

Applications and industries

Designed for heavy-duty applications, the CP3T30 is a powerful tool for surface preparation tasks that demand a high-quality finish and efficient material removal. It is ideal for:

- » Grinding
- » Cutting
- » Sanding

Foundries

Metal
fabrication

Rail

Shipyards

And
more...



Key facts about CP3T30

Increase your productivity with a compact, high power-to-weight ratio, safety-enhanced turbine grinder

2300 W

(3 hp)*

Turbine engine for optimal material removal rate

2.3 kg

(5.1 lbs) only**

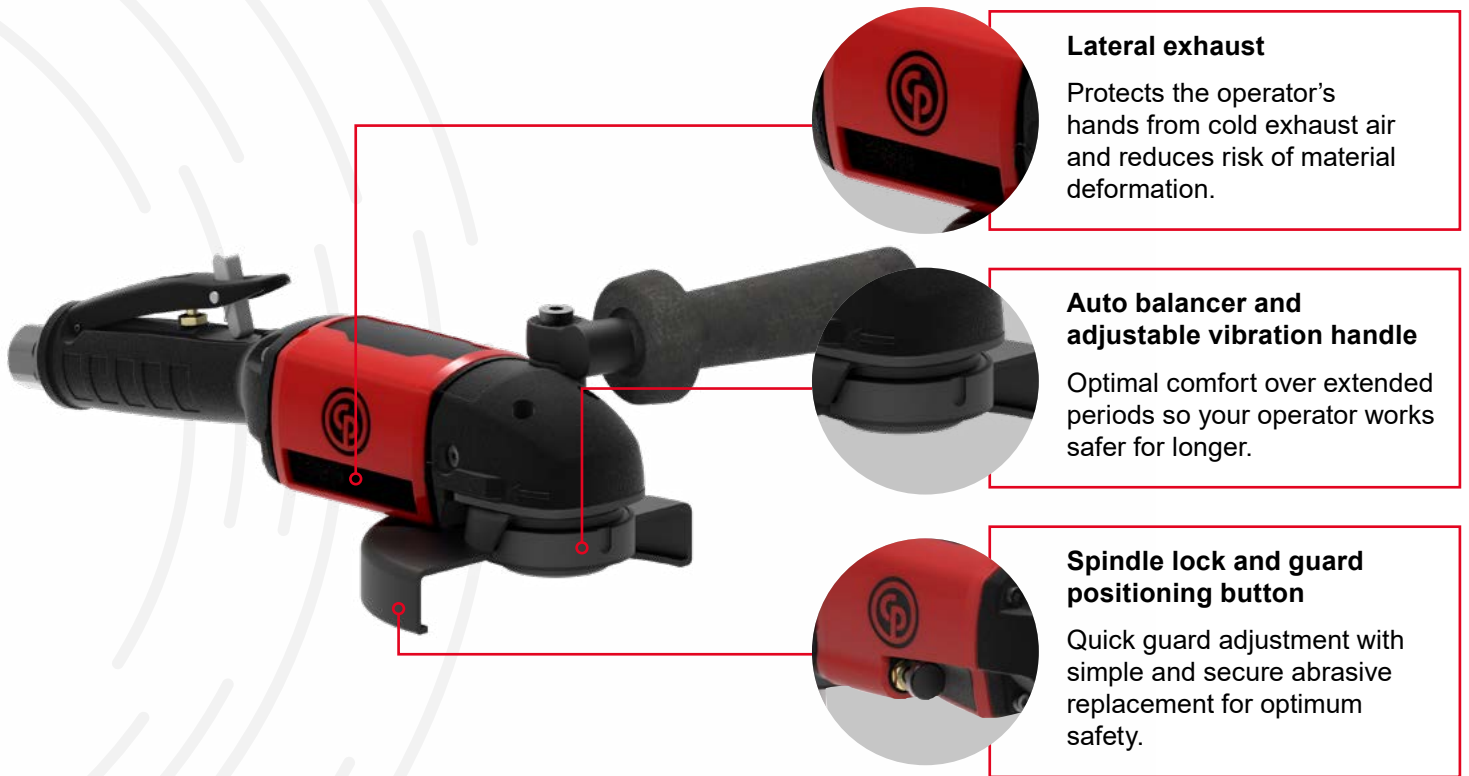
Light to hold, even at arm's length

86 mm

(3.4 in) height only

Ideal for use in restricted spaces

Featuring ease of use, safety and prevention of TMS risks



Lateral exhaust

Protects the operator's hands from cold exhaust air and reduces risk of material deformation.

Auto balancer and adjustable vibration handle

Optimal comfort over extended periods so your operator works safer for longer.

Spindle lock and guard positioning button

Quick guard adjustment with simple and secure abrasive replacement for optimum safety.

Control your tool fleet downtime by limiting maintenance time

Thanks to its oil free motor, the grinder experience less wear and tear.

1000h

Maintenance intervals



What they said

"My team is thrilled with the new turbine grinder! With less vibration and reduced noise, it's perfect for long-duration jobs. It's a game-changer for us"

Purchasing manager - Rail

* Based on CP3T30-120AA5V model

** Based on CP3T30-085AA5V model

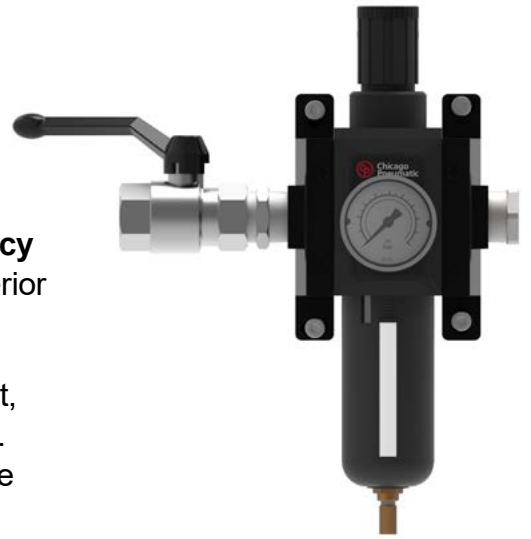
Clean air is key

Optimize your air line flow to boost productivity

Turbine grinder technology requires an optimal airline setup to maximize tool efficiency.

Enhance your performance and extend tool life with the **Efficiency kit with 3/4" Filter-regulator**. Control pressure and achieve superior air filtration by removing dust and moisture.

Efficiency kit includes a ball valve, an advanced air treatment unit, durable fittings and hoses, plus expert tips for secure installation. The kit includes the 3-meter-long, 16-mm-diameter Effi Max hose and the 0.6-meter-long Effi Max whip.



Check your air line configuration thanks to our selector.

Optimize air consumption while maximizing the amount of material removed.

With CP3T30, remove 63%* more material while using 19%* less air compared to a vane motor.

19% less air consumption

Check CO₂ emissions on CP3T30 Product Environmental Card



Contact us and learn more



* Based on Chicago Pneumatic tests laboratory - In comparison with Chicago Pneumatic industrial vane grinders.

> SPECIFICATIONS - REFERENCES








Version	Angle Grinder	Angle Grinder	Angle Grinder	Angle Sander	Angle Sander
Model	CP3T30-120AH5V	CP3T30-85AH7V	CP3T30-120AA5V	CP3T30-085AAV	CP3T30-085ABV
Part number	6151607920	6151607930	6151607940	6151620470	6151620480
Specifications					
Free Speed (rpm)	12,000	8,500	12,000	8,500	8,500
Max power (hp)	3.1	3.1	3.1	3.1	3.1
Max power (W)	2,300	2,300	2,300	2,300	2,300
Wheel/Disc diameter (in)	5	7	5	7	7
Wheel/Disc diameter (mm)	125	180	125	180	180
Output Spindle Thread	HEXA	HEXA	M14	M14	5/8-11 UNC
Air inlet thread type	BSP	BSP	BSP	BSP	BSP
Air inlet thread size (in)	3/8	3/8	3/8	3/8	3/8
Free speed air consumption (l/s)	8	8	8	8	8
Air consumption at load (l/s)	32	32	32	32	32
Min. hose size [5 m hose length] (mm)	16	16	16	16	16
Weight (lb)	5.1	5.5	5.3	4.6	4.6
Weight (kg)	2.3	2.5	2.4	2.1	2.1
Vibration (m/s ²)	3.5	2.8	3.5	<2.5	<2.5
Uncertainty vibration-K (m/s ²)	0.8	0.6	0.8	-	-
Sound Pressure dB(A)	78	79	79	76	76
Autobalancer	Yes	Yes	Yes	Yes	Yes
Spindle lock	Yes	Yes	Yes	Yes	Yes
Swiveling guard	Keyless	Keyless	Keyless	-	-
Motor type	Turbine	Turbine	Turbine	Turbine	Turbine
Lubrication Free	Yes	Yes	Yes	Yes	Yes
Abrasive outside diameter (mm)	125	180	125	-	-
Abrasive bore diameter (mm)	22.23	22.23	22.23	-	-
Abrasive min thickness at bore (mm)	0.5	0.5	0.5	-	-
Abrasive max thickness at bore (mm)	7.0	7.0	10.0	-	-
Abrasive type 27 grinding wheel and type 27 flap disc	✓	✓	✓	-	-
Abrasive type 41 grinding wheel (type 1 cut-off wheel)	✓	✓	✓	-	-
Abrasive type 42 grinding wheel (type 27 cut-off wheel)	✓	✓	✓	-	-

> ACCESSORIES



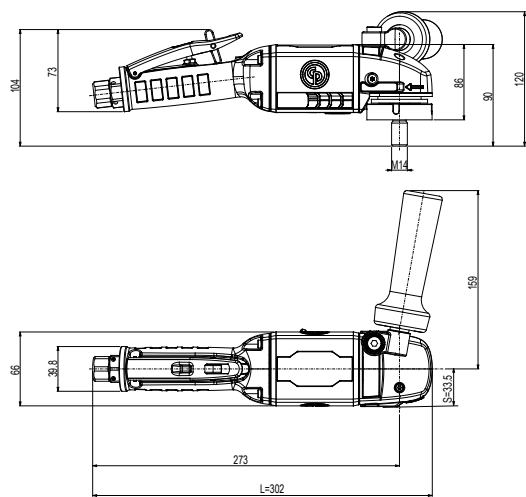
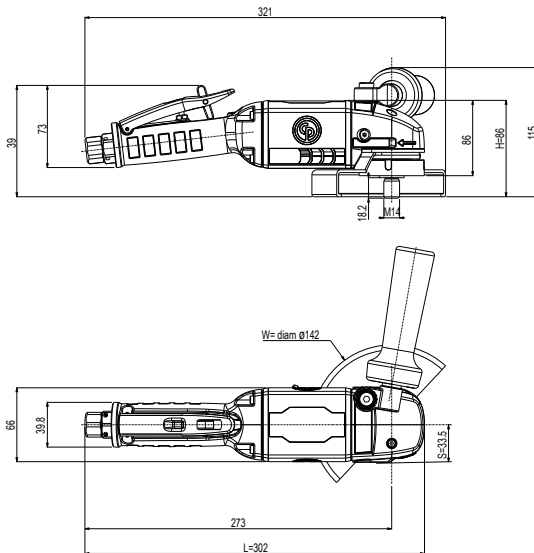
Model name	Dust Extraction Kit	1/2" BSP Filter Regulator
Part number	6154504845	6154501105
Specifications	Dust extraction solution for 7" (180 mm) sanding discs	1/2" BSP Filter regulator, Regulator adjusting knob 5 µm Filter, Diaphragm-type pressure valve

> AIR LINE ACCESSORIES

MUST HAVE FR	SAFETY & ERGONOMICS COUPLING & NIPPLE	MUST HAVE HOSE & CLAMPS	SAFETY & ERGONOMICS COUPLING & NIPPLE	SAFETY & ERGONOMICS CONNECTING ACCESSORY
				
Filter Regulator 3/4" BSP 6154502495	EF coupling Male thread 3/4" BSP 6158106340 16 mm Nipple hose connector 6158106200	Effi Max Hose Diameter (16 mm) 6158109010	EF Hose connector coupling Diameter (16 mm) 6158106530 Nipple male 3/8" 6158106650	3/8" BSP Air Flex 8940171570

+ Supply the turbine grinder with clean dry air at a dynamic pressure of 6.3 bar.
DO NOT USE A LUBRICATOR FOR TURBINE GRINDERS. OIL WILL PERMANENTLY DAMAGE THE TOOL.

> DIMENSIONS



Part number	6151607920		6151607930		6151607940		6151620470		6151620480	
	in	mm	in	mm	in	mm	in	mm	in	mm
Length (L)	11.9	302	11.9	302	11.9	302	11.9	302	11.9	302
Height (H)	3.4	86	3.4	86	3.4	86	3.4	86	3.4	86
Width (W)	5.6	142	7.9	200	5.6	142	2.6	67	2.6	67
Side to Center (S)	1.3	33.5	1.3	33.5	1.3	33.5	1.3	33.5	1.3	33.5

Find out more about the CP3T30 series

www.tools.cp.com

CP CARE

Boost your uptime and productivity with an optimised maintenance budget.

- » Less breakdowns means less stoppages or disruptions to production.
- » Usual wear parts are replaced before the system fails.
- » Critical spare parts are available, and their replacement is planned.



Maintenance budget is optimised

- » Tool reliability is improved meaning less breakdowns over time.
- » Preventive Maintenance extends the life of the tool by up to 100%.

With CP CARE, we offer a range of specialized services aimed at maximizing the efficiency and lifespan of your tools, ensuring you can work easily and efficiently.

CP CARE for CP3T30 grinders and sanders	
Fixed price maintenance	✓
Preventive maintenance of wear parts and labor every 1000 hours by skilled technicians	
» Visual inspection	
» Replace oil	✓
» Clean filters	
» Service turbine	
» Service spindle	

Interested in learning more about our CP Care plans?

Contact us



For more information, please contact your CP partner:

Use only authorized parts. Any damage or malfunction caused by the use of unauthorized parts is not covered by Warranty or Product Liability.

© 2024 Chicago Pneumatic. All rights reserved. Subject to information, product specifications and errors.

The information provided in this leaflet is for general informational purposes only. While we strive to ensure the accuracy and completeness of the information, we make no warranties or representations of any kind, express or implied, about the completeness, accuracy, reliability, suitability, or availability with respect to the leaflet or the information contained within it for any purpose. The use of this product and its accessories should be in accordance with the instructions provided. The manufacturer is not responsible for any damage or injury resulting from misuse or improper handling of the product and its accessories.

January 2025