

**Keep it safe
on the road.**

**CP8609 eBlueTork
Series**

the new battery-powered
torque wrench for heavy
truck and bus maintenance.



People. Passion. Performance.



CPLinQ

KEEP CONTROL, GUARANTEE QUALITY!

CPLinQ* is an application specifically dedicated for managers looking to control processes and quality in the field to further improve productivity.



> **Designed for ease of use!**

- ✓ Save time on every operation
- ✓ Decrease errors and rework
- ✓ Get back to service faster
- ✓ Reinforce company quality standards

* CPLinQ is available for C, CQ and TC versions only.

CP8609 eBlueTork series

Mastering Heavy Truck and Bus Safety Specifications!

Introducing the CP8609 eBlueTork battery-powered torque wrenches, crafted to revolutionize the safety of the heavy truck and bus industry.

Increase technician safety

to reduce the risk of fatigue, discomfort and injury on the road and in the workshop.

Increase wheel off safety

to get passengers to their destination safely.

Reliability

to ensure real-time torque service records for control and process quality in the workshop.

THAT IS HOW THE NEW CP8609 eBlueTork WAS BORN!



Sturdy gearbox

for heavy duty truck and bus wheel operations.



Extended operation,

thanks to the long-lasting and compact CP battery.



Connected with CPLinQ

securing your process quality with data collection and counting sequence set-up.

Suitable for all heavy vehicles



Delivery and Construction



Buses



Safety Vehicles



Waste Management



○ Ease of use with no compromise to safety

Increased accuracy and safety compared to standard impact wrench.

Automatic release reaction arm

Second start button
for operator safety

Torque check function
to control nut loosening

○ Maximum productivity

Thanks to its lightweight design and Torque Check function, experience unmatched performance for heavy truck and bus fleet maintenance.

High performance and precision

Torque and angle tightening

Control and process quality in the field

High tightening accuracy, P-Set torque library.

Only one operator

No manual torque wrench required

A performance record

7.1 kg
(15.6 lbs) only*

Lightweight construction due to the compact CP battery.



500 Cycles**

Before battery requires charging, optimal for extended mobility.

Up to 900 Nm
(665 ft.lb)

Dedicated gearbox for heavy vehicles



+/- 4% precision**

The gearbox of the CP86 can achieve high precision tightening with constant repeatability.

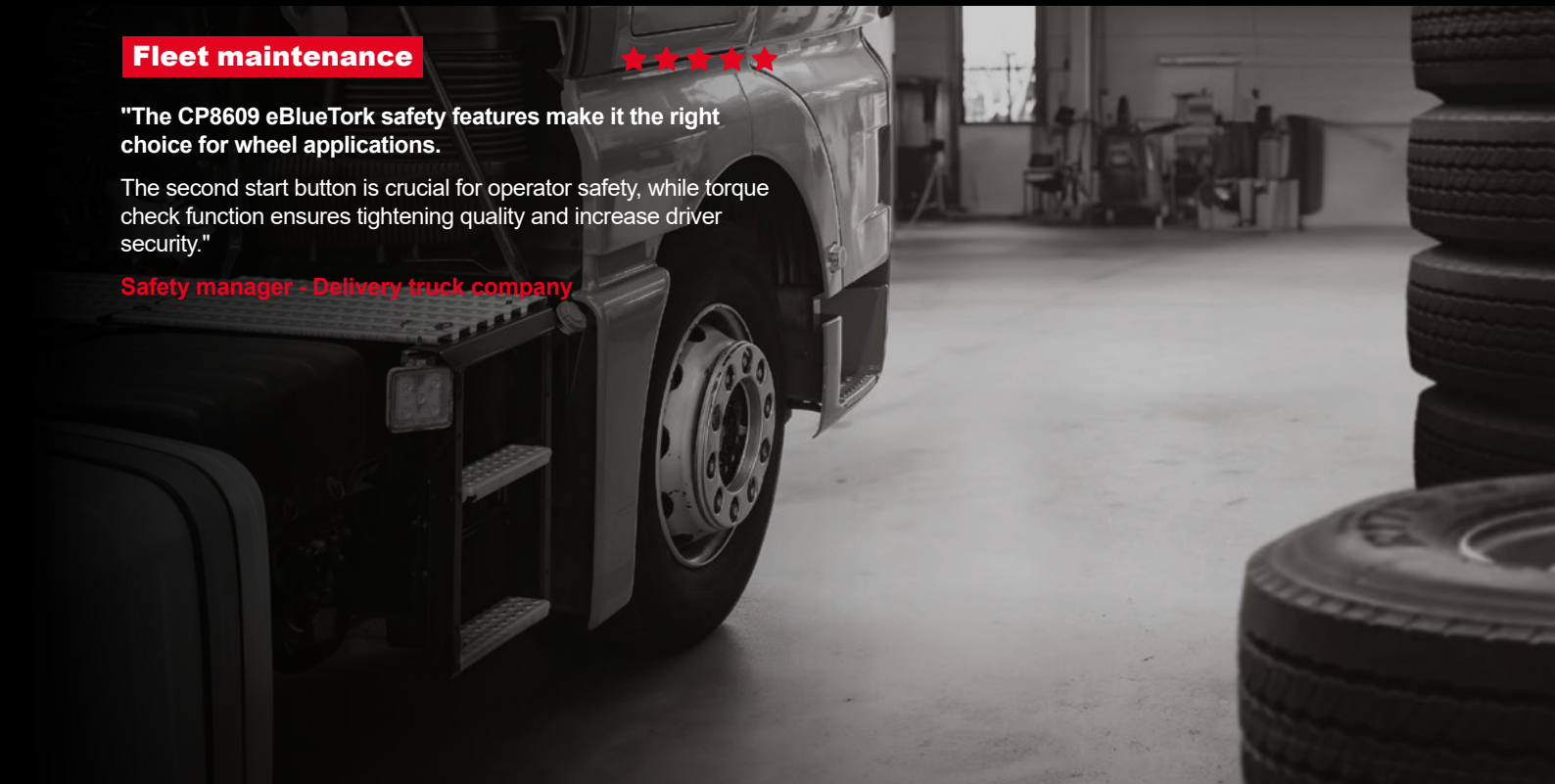
* For the CP8609 with standard reaction blade. ** Based on hard joint 15° at nominal torque

Fleet maintenance

"The CP8609 eBlueTork safety features make it the right choice for wheel applications. ★★★★★

The second start button is crucial for operator safety, while torque check function ensures tightening quality and increase driver security."

Safety manager - Delivery truck company



CPLinQ

OPTIMIZE PROCESSES AND QUALITY IN THE FIELD



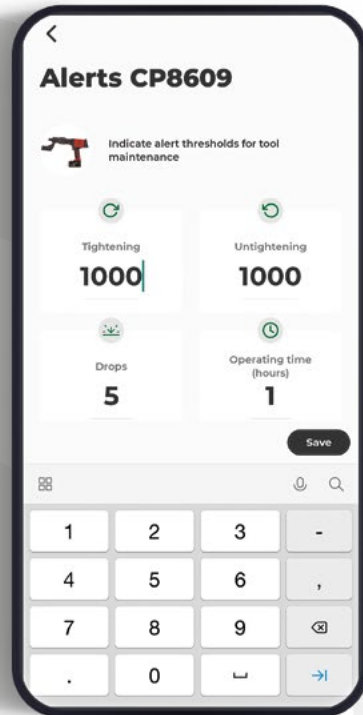
Control your tightening and counting sequence with:

- P-Set library featuring dedicated requirements for each job
- Counting sequence for 100% tightening guarantee and 0% rework



Report your jobs

Tightening report for a quick report and data export



Maintain your tool

Decrease the risk of breakage with:

- Tool status follow-up management
- Operation alert
- Maintenance timeline

" With data collection, sequence set-up and maintenance timeline, CPLinQ is the perfect solution to secure your jobs in the field! "

Nil Gauter,
Product Manager,
Chicago Pneumatic



OLED display solution!

Enjoy an intuitive interface with a high resolution, great brightness and true colors for a clear overview of your key information.



CP CARE Extends the life of your tool by up to 20%!

Increase protection with a CP Care Preventive Maintenance contract.

- ✓ Improve uptime
- ✓ Maintain quality, reduce rework
- ✓ Optimize maintenance budget

> [Contact your dealer for more information](#)

Technical sheet

> SPECIFICATIONS - REFERENCES



Reaction bar		Blade Standard reaction blade (included)		Cup Standard for spring loaded cup or Japanese type cup (cup not included)		Extended Cup Extended for spring loaded cup or Japanese type cup (cup not included)	
Version	Trigger number	Model name	Part number	Model name	Part number	Model name	Part number
Stand alone	Trigger + safety button	CP8609-B	6151570500	CP8609-C	6151570730	CP8609-xC	6151570780
	1 trigger	CP8609-BT	6151570440	CP8609-CT	6151570560	CP8609-xCT	6151570620
Connected	Trigger + safety button	CP8609C-B	6151570510	CP8609C-C	6151570740	CP8609C-xC	6151570790
	1 trigger	CP8609C-BT	6151570450	CP8609C-CT	6151570570	CP8609C-xCT	6151570630
Connected Quality	Trigger + safety button	CP8609CQ-B	6151570520	CP8609CQ-C	6151570750	CP8609CQ-xC	6151570800
	1 trigger	CP8609CQ-BT	6151570460	CP8609CQ-CT	6151570580	CP8609CQ-xCT	6151570640
Torque Check	Trigger + safety button	CP8609TC-B	6151570530	CP8609TC-C	6151570760	CP8609TC-xC	6151570810
	1 trigger	CP8609TC-BT	6151570470	CP8609TC-CT	6151570590	CP8609TC-xCT	6151570650

Specifications			
Square drive (in.)	1"	1"	1"
Accuracy (6 sigma)*	+/- 4%	+/- 4%	+/- 4%
Min/Max torque (Nm)	300 - 900	300 - 900	300 - 900
Min/Max torque (ft.lbs)	220 - 665	220 - 665	220 - 665
Nominal working torque (Nm)	390 - 720	390 - 720	390 - 720
Nominal working torque (ft.lbs)	293 - 532	293 - 532	293 - 532
Max speed all torque (rpm)	15	15	15
Weight - battery, reaction arm included (kg)	7.1	8.1 (with standard cup) 7.8 (with Japanese type cup)	9.3 (with standard cup) 9.0 (with Japanese type cup)
Weight - battery, reaction arm included (lbs)	15.6	17.8 (with standard cup) 17.2 (with Japanese type cup)	20.6 (with standard cup) 19.9 (with Japanese type cup)
Sound pressure (dB(A))	62	62	62
Vibration (m/s ²)	<2.5	<2.5	<2.5
Number of cycles by battery	500	500	500

*Based on hard joint 15° at nominal torque

> ACCESSORIES



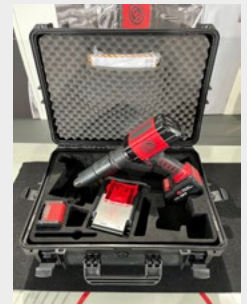
Model name	Spring loaded cup	Japanese type cup	Suspension yoke	Battery 36V	Charger Universal 18-36V	CP86 Series protective cover
Part number	8940164622	8940167401	8940166654	8940176068	8940176069	6152112130
Specification				Li-ion, 36V 2.5Ah	18/36V 2.5Ah	

Technical sheet

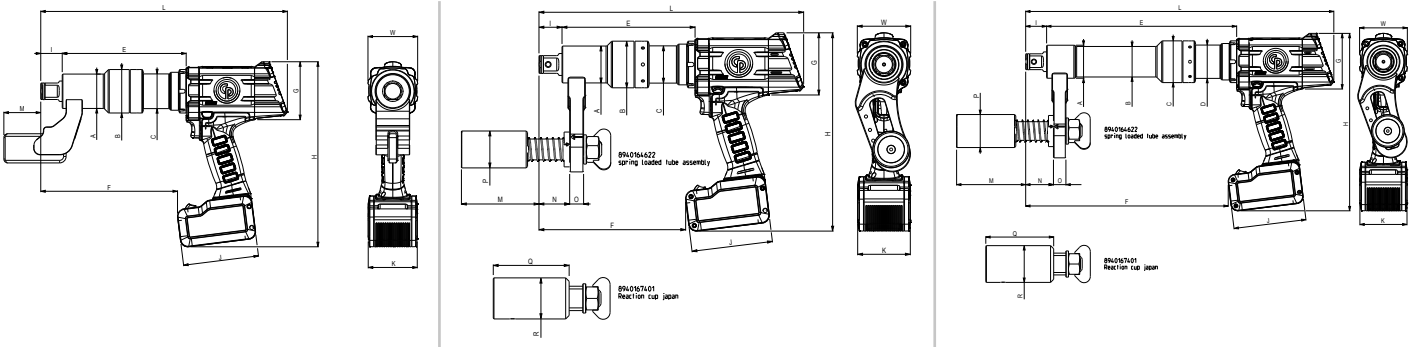
> ADDITIONAL INFORMATION

		Stand alone	C - Connected	CQ - Connected Quality	TC - Torque Check
All models					
Performance	Digital OLED display	✓	✓	✓	✓
	Automatic release reaction arm	✓	✓	✓	✓
	Torque control	✓	✓	✓	✓
Safety	Double safety button (second start safety trigger)	✓	✓	✓	✓
	Tool lock & finder		✓	✓	✓
Connectivity	CPLinQ application		✓	✓	✓
Tool maintenance	Tool status follow-up management		✓	✓	✓
	Operation alert		✓	✓	✓
	Maintenance timeline		✓	✓	✓
Job control	Angle control		✓	✓	✓
	P-Set library		✓	✓	✓
	Counting sequence P-Set torque or angle			✓	✓
Report	Counting sequence report			✓	✓
	Application report			✓	✓
Process control	Torque Check				✓
	Counting sequence P-Set Torque Check				✓
	Torque Check report				✓

- + ✓ Delivered with:
 - 2 batteries
 - 1 charger
 - 1 power cord
 - 1 manual
- ✓ Calibration certificate included
- ✓ Plastic case



> DIMENSIONS



Blade models

Cup models

Extended Cup models

		A	B	C	D	E	F	G	I	J	K	M	N	O	P	Q	R	Height (H)	Length (L)	Width (W)
Blade models	(mm)	53	67	54	-	191	211	89	33	116	76	57	-	-	-	-	-	285	380	77
	(in.)	2.09	2.64	2.13	-	7.52	8.31	3.50	1.30	4.57	2.99	2.24	-	-	-	-	-	11.22	14.96	3.03
Cup models	(mm)	53	67	54	-	191	211	89	33	116	76	111	44	20	53	109	58	285	380	77
	(in.)	2.09	2.64	2.13	-	7.52	8.31	3.50	1.30	4.57	2.99	4.37	1.73	0.79	2.09	4.29	2.28	11.22	14.96	3.03
Extended Cup models	(mm)	53	49	67	54	305	325	89	34	116	76	111	45	20	53	109	59	285	495	77
	(in.)	2.09	1.93	2.64	2.13	12.01	12.80	3.50	1.34	4.57	2.99	4.37	1.77	0.79	2.09	4.29	2.32	11.22	19.49	3.03

Find out more about CP8609 eBlueTork series

> www.cp86.cp.com



Explore our extended product range tailored to your needs

Models



Blade

300 to 900 Nm /
220 to 665 ft.lb



Cup

300 to 900 Nm /
220 to 665 ft.lb



Extended Cup

300 to 900 Nm /
220 to 665 ft.lb

Perform Standalone	✓	✓	✓
Control & Maintain C - Connected CPLinQ	✓	✓	✓
Control, Maintain & Report C - Connected Quality CPLinQ	✓	✓	✓
Control & Maintain Torque Check CPLinQ	✓	✓	✓

▶ Watch now



Contact us

Get your questions answered